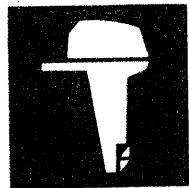


YAMAHA

parts list 1977



outboard
motor

28A

serial no.

28A S : 04606 and up
L : 38146 and up
28AES : 25801 and up
L : 56821 and up

CONTENTS

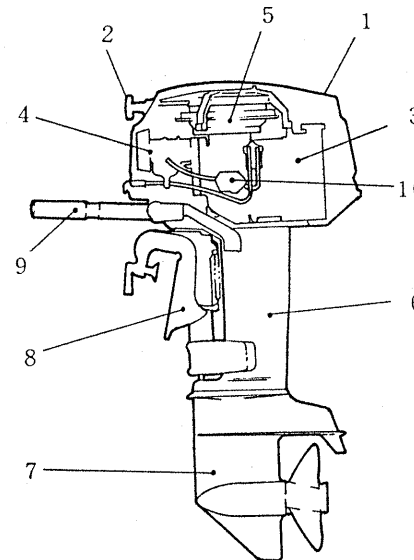
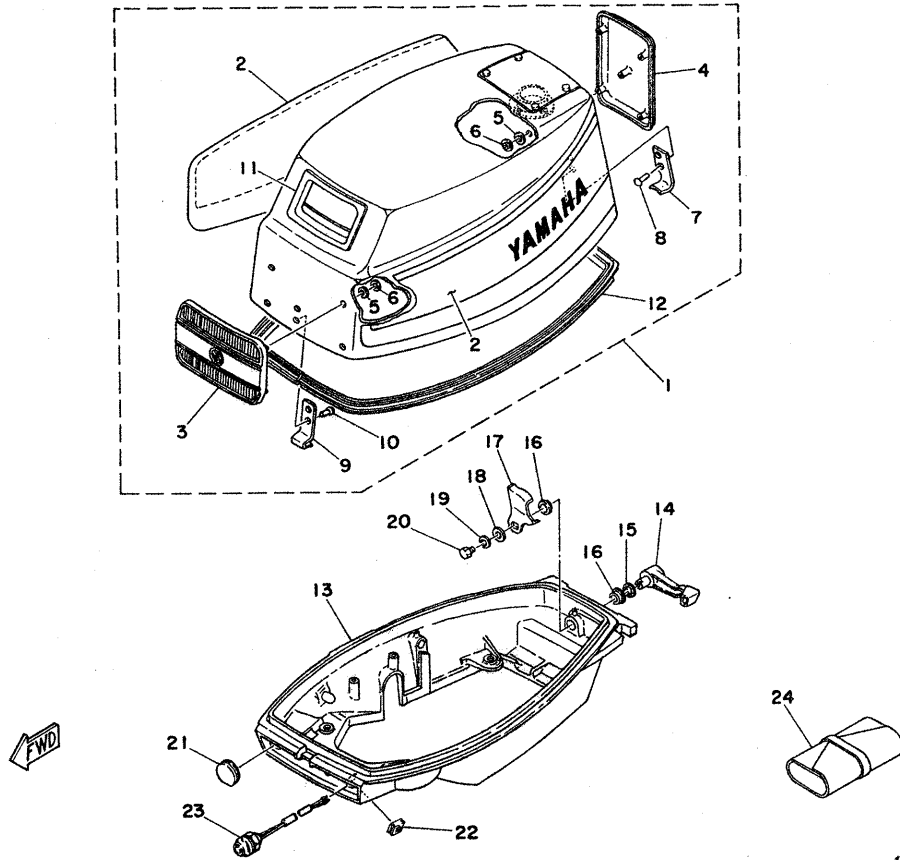


Fig. 1	COWLING	-----	1
Fig. 2	STARTER	-----	2
Fig. 3	CRANKCASE-CYLINDER & PISTON	-----	4
Fig. 4	INTAKE	-----	6
Fig. 5	FLYWHEEL MAGNETO	---	8
Fig. 6	UPPER CASING	-----	9
Fig. 7	LOWER & DRIVE	-----	10
Fig. 8	BRACKET	-----	12
Fig. 9	CONTROL	-----	14
Fig. 10	FUEL SECTION	-----	16
Fig. 11	OPTIONAL PARTS 1 (ELECTRIC STARTER)	-----	18
Fig. 12	OPTIONAL PARTS 2 (ELECTRIC STARTER)	-----	19
Fig. 13	OPTIONAL PARTS 3 (REMOTE CONTROL)	-----	20
Fig. 14	SPECIAL SERVICE TOOLS	-----	21

NUMERICAL INDEX

Fig. 1 COWLING

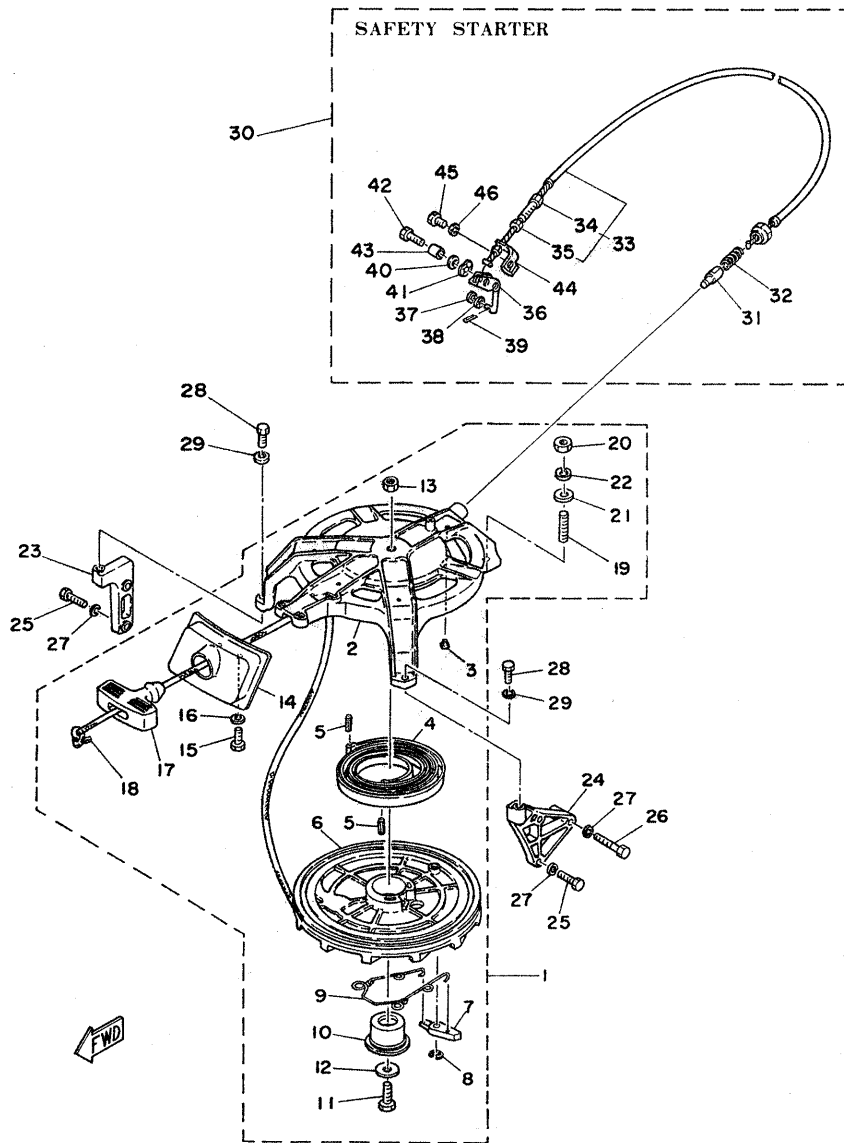


Ref.No.	Parts No.	Description	Q'ty	Ref.No.	Parts No.	Description	Q'ty
1-1	664-42610-63-F6	TOP COWLING ASS'Y	1	1-13	664-42711-00-F6	COWLING, bottom 1	1
2	99999-00921	GRAPHIC, side set	1s	14	664-42815-00-F6	LEVER, clamp 1	1
3	648-42686-00	EMBLEM, front	1	15	90206-12052	WASHER, wave (12.5φ-19φ-0.5mm)	1
4	664-42687-60	EMBLEM, rear	1	16	90386-12069	BUSHING	2
5	650-42693-00	DAMPER, emblem	10	17	656-42816-00	LEVER, clamp 2	1
6	90183-05003	NUT, spring	10	18	90201-06068	WASHER (6.5φ-20φ-2.0mm)	1
7	656-42647-00	HOLDER, clamp band	1	19	92990-06100	WASHER	1
8	90266-04012	RIVET 1	2	20	97323-06010	BOLT	1
9	648-42651-00	HOOK 1	1	21	664-42724-00	GROMMET 1	1
10	90266-04002	RIVET 2	2	22	90480-12156	GROMMET	1
11	648-15761-00	SEAL, rubber	1	23	664-82550-00	STOP SWITCH ASS'Y	1
12	648-42615-00	SEAL	1	24	670-28100-60	TOOL ASS'Y	1

* New parts number

Fig. 2 STARTER

STARTER

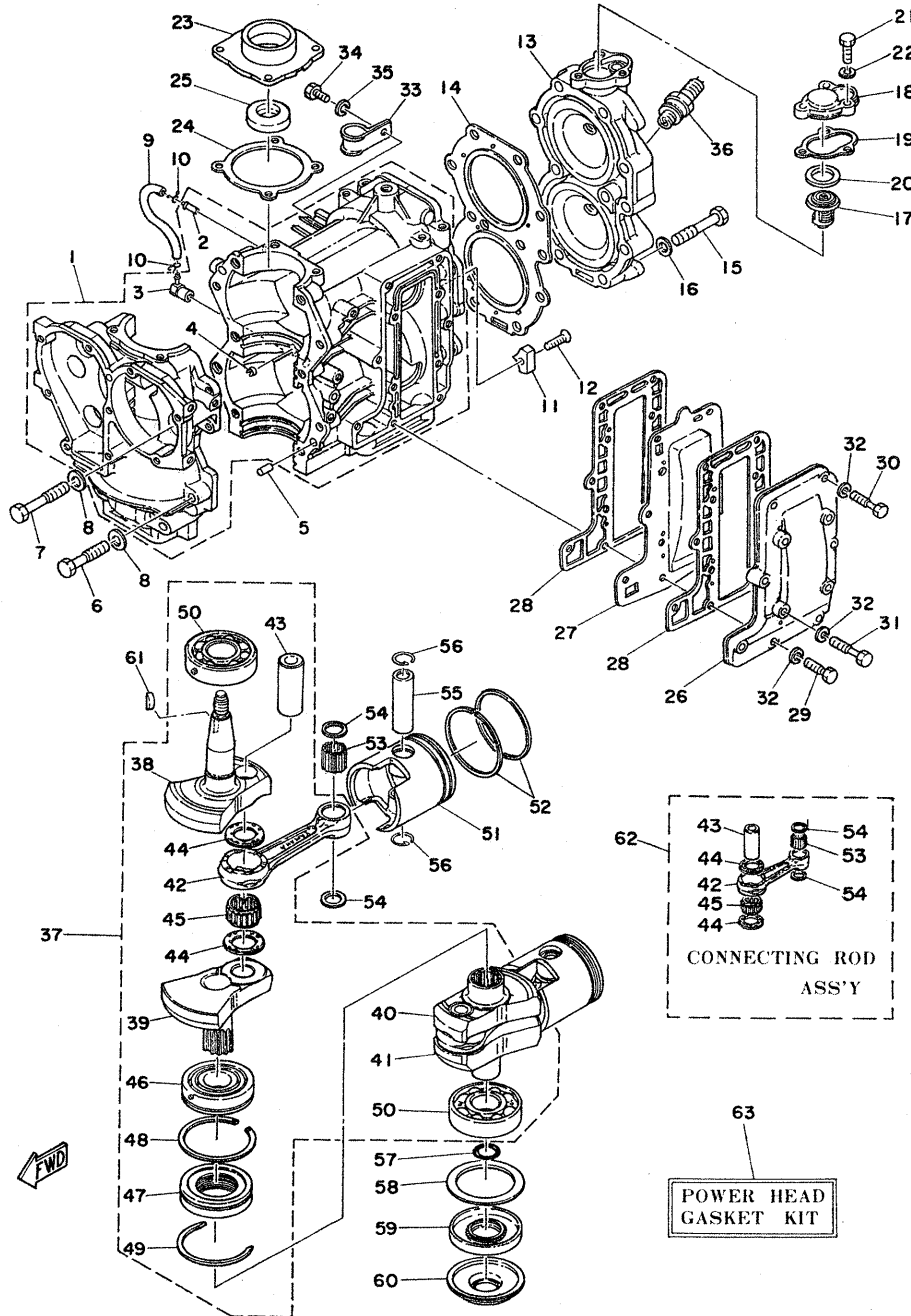


Ref.No.	Parts No.	Description	Q'ty	Ref.No.	Parts No.	Description	Q'ty
2-1	656-15710-02-F6	STARTER ASS'Y	1	2-24	648-15772-00-94	STAY 2	1
2	656-15711-02-F6	CASE, starter	1	25	97323-06025	BOLT	4
3	648-15773-00	STAY 3	6	26	97323-06040	BOLT	1
4	90510-08002	SPRING, spiral	1	27	92903-06100	WASHER	5
5	91690-40020	PIN, spring	2	28	97323-06020	BOLT	2
6	656-15714-00-94	DRUM, sheave	1	29	92903-06100	WASHER	2
7	648-15741-01	PAWL, drive	1	SAFETY STARTER			
8	93430-06005	CIRCLIP (E-6φ)	1	30	656-W0079-00	SAFETY STARTER KIT	1
9	656-15705-00	PAWL DRIVE SPRING ASS'Y	1	31	656-15748-00	PLUNGER, starter stop	1
10	648-15717-00	SHAFT	1	32	90501-10227	SPRING, compression	1
11	97323-08025	BOLT	1	33	656-15770-00	WIRE COMP., starter stop	1
12	90201-08309	WASHER (8φ-23φ-3.0mm)	1	34	90123-06049	BOLT, wire adjusting	1
13	95303-08600	NUT	1	35	95303-06600	NUT	2
14	648-15758-00-F6	GUIDE, wire	1	36	656-15749-00	LINK COMP., starter stop	1
15	97323-06015	BOLT	2	37	92903-05600	WASHER	1
16	92903-06100	WASHER	2	38	90206-05005	WASHER, wave (5.5φ-11φ-0.3mm)	1
17	619-15755-01	HANDLE, starter	1	39	91490-16010	PIN, cotter	1
18	+	WIRE (2050mm)	1	40	92903-06600	WASHER	1
19	90116-08M01	BOLT, stud	1	41	90206-08010	WASHER (8.7φ-16φ-0.3mm)	1
20	95303-08600	NUT	1	42	97323-06020	BOLT	1
21	92903-08200	WASHER	1	43	90387-06568	COLLAR (6φ-8φ-7.5mm)	1
22	92903-08100	WASHER	1	44	656-15774-00	STAY 4	1
23	648-15771-00-94	STAY 1	1	45	97323-06012	BOLT	1
				46	92903-06100	WASHER	1

+ Cut from 50m roll, Parts No. 90890-44373, cutting length 2.05m

Fig. 3 CRANKCASE, CYLINDER & PISTON

CRANKCASE, CYLINDER & PISTON



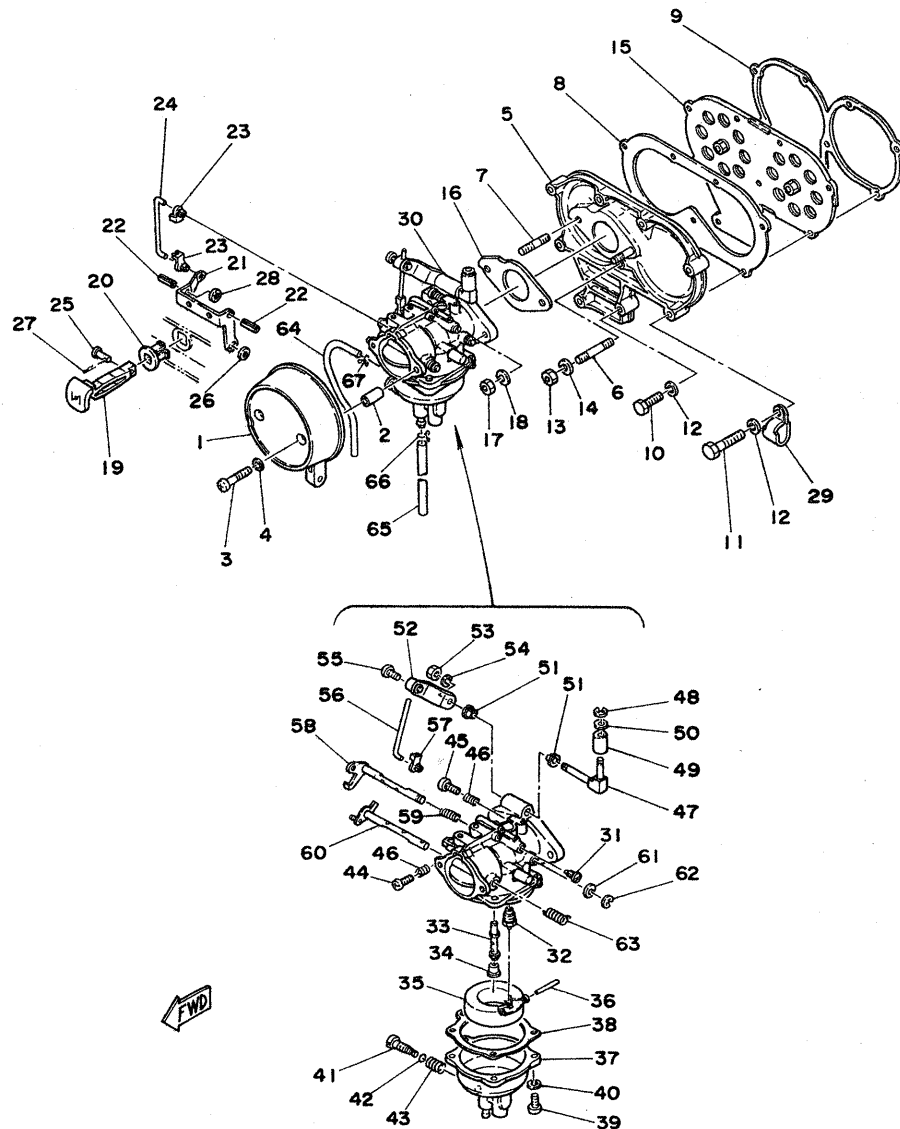
Ref.No.	Parts No.	Description	Q'ty	Ref.No.	Parts No.	Description	Q'ty
▶ 3-	1	664-15100-02-94 CRANK CASE ASS'Y	1	3-36	94701-00040	PLUG, spark (B-7HS) NGK	2
◀ #	664-15100-01-94	CRANK CASE ASS'Y	1	37	664-11400-01	CRANK ASS'Y	1
2	624-14485-00	. PIPE, joint	1	38	648-11412-01	. CRANK 1	1
3	650-11370-00	. CHECK VALVE ASS'Y	1	39	648-11422-01	. CRANK 2	1
4	624-11379-00	. VALVE, check 1	1	40	648-11432-01	. CRANK 3	1
5	93606-12019	PIN, dowel B (6φ-12mm)	2	41	664-11442-01	. CRANK 4	1
6	97313-08045	BOLT	2	42	648-11651-01	. ROD, connecting 1	2
7	97313-08055	BOLT	8	43	648-11681-00	. PIN, crank 2	2
8	648-11175-00	WASHER, holding	10	44	90209-22071	. WASHER (22.2φ-37φ-1mm)	4
9	90445-07260	HOSE (2.5φ-7φ-270mm)	1	45	93310-522A4	. BEARING, big end	2
10	90467-06016	CLIP	2	46	93390-00009	. BEARING, roller	1
11	664-11325-00	ANODE	1	47	656-11515-00	. SEAL, labyrinth	1
12	92280-06020	SCREW, flathead	1	48	93440-62021	. CIRCLIP (62φ special)	1
13	664-11111-00-94	HEAD, cylinder 1	1	49	93440-62057	. CIRCLIP (62φ special)	1
■ 14	664-11181-00	GASKET, cylinder head	1	50	93306-30510	. BEARING (B6305)	2
15	97313-08050	BOLT	11	51	656-11631-60-96	PISTON (Standard 66.96mm)	} U.R. 2
16	648-11175-00	WASHER, holding	11	656-11631-60-97	PISTON (Standard 66.97mm)		
17	656-12411-01	THERMOSTAT	1	656-11631-60-98	PISTON (Standard 66.98mm)		
18	655-12413-01-94	COVER, thermostat	1	*	656-11635-60	PISTON (Over size 67.25mm)	2
■ 19	655-12414-00	GASKET, thermostat	1	*	656-11636-60	PISTON (Over size 67.50mm)	2
20	90201-21567	WASHER (21.5φ-27.5φ-2mm)	1	52	656-11610-01	PISTON RING SET (standard)	2s
21	97323-06020	BOLT	3	*	656-11610-11	PISTON RING SET (Over size 67.25mm)	2s
22	92903-06100	WASHER	3	*	656-11610-21	PISTON RING SET (Over size 67.50mm)	2s
23	664-15359-01-94	HOUSING, oil seal	1	53	×93602-20M02	BEARING, small end	62
■ 24	664-15369-00	GASKET, oil seal housing	1	54	90201-18522	WASHER (18.2φ-21.5φ-1.2mm)	4
25	93102-23096	OIL SEAL (SD-23φ-38φ-7mm)	1	55	648-11633-00	PIN, piston	2
26	664-41113-00-94	OUTER COVER, exhaust	1	56	93450-20026	CLIP, piston pin	4
27	664-41111-00	INNER COVER, exhaust	1	■ 57	93210-16275	O-RING (2.4φ-15.8φ)	1
■ 28	664-41114-00	GASKET, exhaust cover	2	58	90201-50306	WASHER (50φ-66φ-1.5mm)	1
29	97323-06025	BOLT	2	59	93102-25114	OIL SEAL (SD-25φ-62φ-8mm)	1
30	97323-06030	BOLT	5	60	93104-16050	OIL SEAL (SD-16φ-62φ-12mm)	1
31	97323-06035	BOLT	4	61	90280-05013	KEY, woodruff	1
32	92903-06100	WASHER	11	62	648-11650-00	CONNECTING ROD ASS'Y	2
33	90461-06015	CLAMP	1	■ 63	664-W0001-10	POWER HEAD GASKET KIT	1
34	97323-06012	BOLT	1				
35	92903-06100	WASHER	1				

◀ {28A S: 06705 and below L: 43355 and below } 28AE S: 26685 and below L: 58054 and below, ▶ {28A S: 06706 and up L: 43356 and up } 28AE S: 26686 and up L: 58055 and up

* New parts number
 * Not shown
 ■ Contents of power head gasket kit

Fig. 4 INTAKE

INTAKE



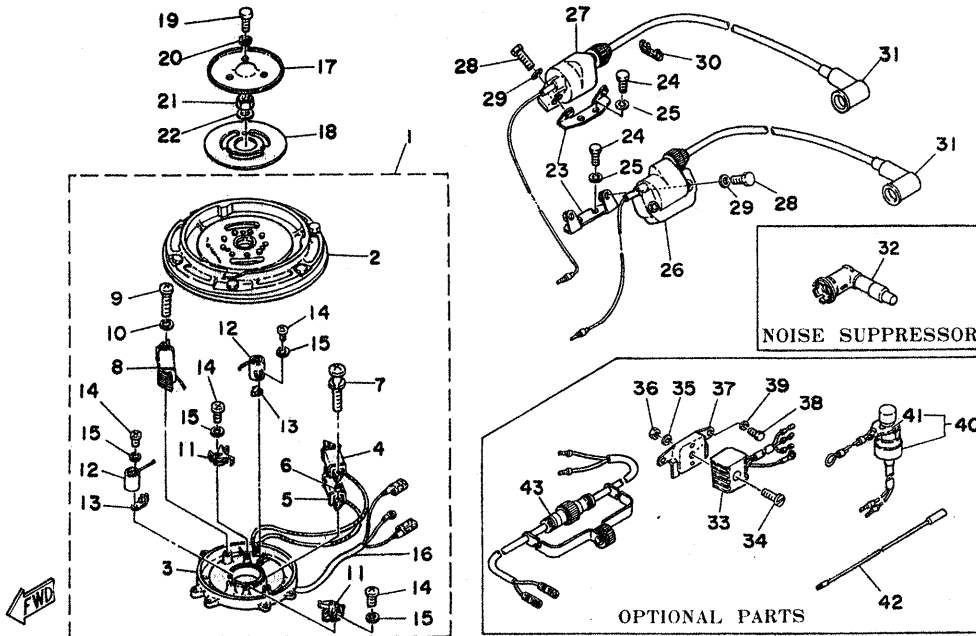
Ref.No.	Parts No.	Description	Q'ty	Ref.No.	Parts No.	Description	Q'ty
4-1	664-14417-00	COVER	1	4-35	648-14385-00	. FLOAT	1
2	90387-06461	COLLAR (6.5φ-10.5φ-18mm)	2	36	648-14386-00	. PIN, float	1
3	97803-05030	SCREW, panhead	2	37	664-14381-00	. BODY, float chamber	1
4	92903-05300	WASHER	2	■ 38	648-14384-01	. GASKET, float chamber	1
5	648-13641-01-94	MANIFOLD, intake	1	39	98503-04012	. SCREW, panhead	4
6	90116-06138	BOLT, stud	1	40	92990-04100	. WASHER, spring	4
7	90116-06122	BOLT, stud	2	41	646-14394-00	. VALVE, drain	1
■ 8	648-13621-00	PACKING, valve seat	1	42	646-14397-00	. O-RING	1
■ 9	648-13645-00	GASKET, intake manifold 1	1	43	646-14223-01	. SPRING, drain valve	1
10	97323-06025	BOLT	2	44	648-14321-00	. SCREW, throttle	1
11	97323-06035	BOLT	6	▶ 45 *	647-14323-00	. SCREW, air adjusting	1
12	92903-06100	WASHER	8	◀ *	648-14323-00	. SCREW, air adjusting	1
13	95303-06600	NUT	1	46	648-14334-00	. SPRING, air adjusting	2
14	92903-06200	WASHER	1	47	648-41216-01	. SHEAVE SHAFT, accel.link	1
15	648-13610-00	REED VALVE ASS'Y	1	48	93430-04031	. CIRCLIP (E-4φ)	1
■ 16	648-14198-00	GASKET	1	▶ 49 *	664-41231-00	. COLLAR, guide pin	1
17	95303-06600	NUT	2	◀ *	626-41231-00	. COLLAR, guide pin	1
18	92903-06600	WASHER	2	50	92990-05200	. WASHER	1
19	664-41271-00	KNOB, choke 1	1	51	90386-05002	. BUSHING	2
20	90480-12154	GROMMET 1	1	52	648-41210-01	. ACCEL. ARM ASS'Y	1
21	664-41252-00	LEVER, choke 1	1	53	95303-05700	. NUT	1
22	91690-40016	PIN, spring	2	54	92990-05100	. WASHER, spring	1
23	661-41262-02	JOINT, choke lever	2	55	664-14327-00	. SCREW	1
24	664-41256-00	ROD, choke link 1	1	56	656-41241-00	. ROD	1
25	90240-05044	PIN, with hole	1	57	661-41262-02	. JOINT, choke lever	1
26	90201-05560	WASHER (5.5φ-13φ-0.8mm)	1	58	664-14315-00	. LEVER THROTTLE ASS'Y	1
27	90468-10005	CLIP	1	59	648-14331-00	. SPRING, throttle valve	1
28	90206-05005	WASHER, wave (5.5φ-11φ-0.3mm)	1	▶ 60 *	664-14201-01	. CHOKE LEVER COMP.	1
29	90461-06015	CLAMP	1	◀ *	664-14201-00	. CHOKE LEVER COMP.	1
▶ 30 *	664-14301-02	CARBURETOR ASS'Y	1	61	664-14357-00	. WASHER, plain	1
◀ * 664-14301-01	CARBURETOR ASS'Y	1	62	664-14377-00	. STOPPER	1	
31	664-14342-30	. JET, pilot (#60)	1	63	664-14218-00	. SPRING, choke lever	1
32	648-14390-14	. VALVE SEAT ASS'Y	1	64	90446-05005	HOSE (3φ-5φ-300mm)	1
33	648-14341-00	. NOZZLE, main (3.0φ)	1	65	90445-09105	HOSE (5φ-9φ-300mm)	1
34	648-14343-70	. JET, main (#140)	1	66	90467-08004	CLIP	1
				67	90467-05001	CLIP	1

◀ 28A S: 10710 and below L: 48400 and below 28AE S: 27310 and below L: 59790 and below ▶ 28A S: 664-150101 and up L: 664-450101 and up 28AE S: 664-270101 and up L: 664-570101 and up

* New parts number
 ※ Not shown

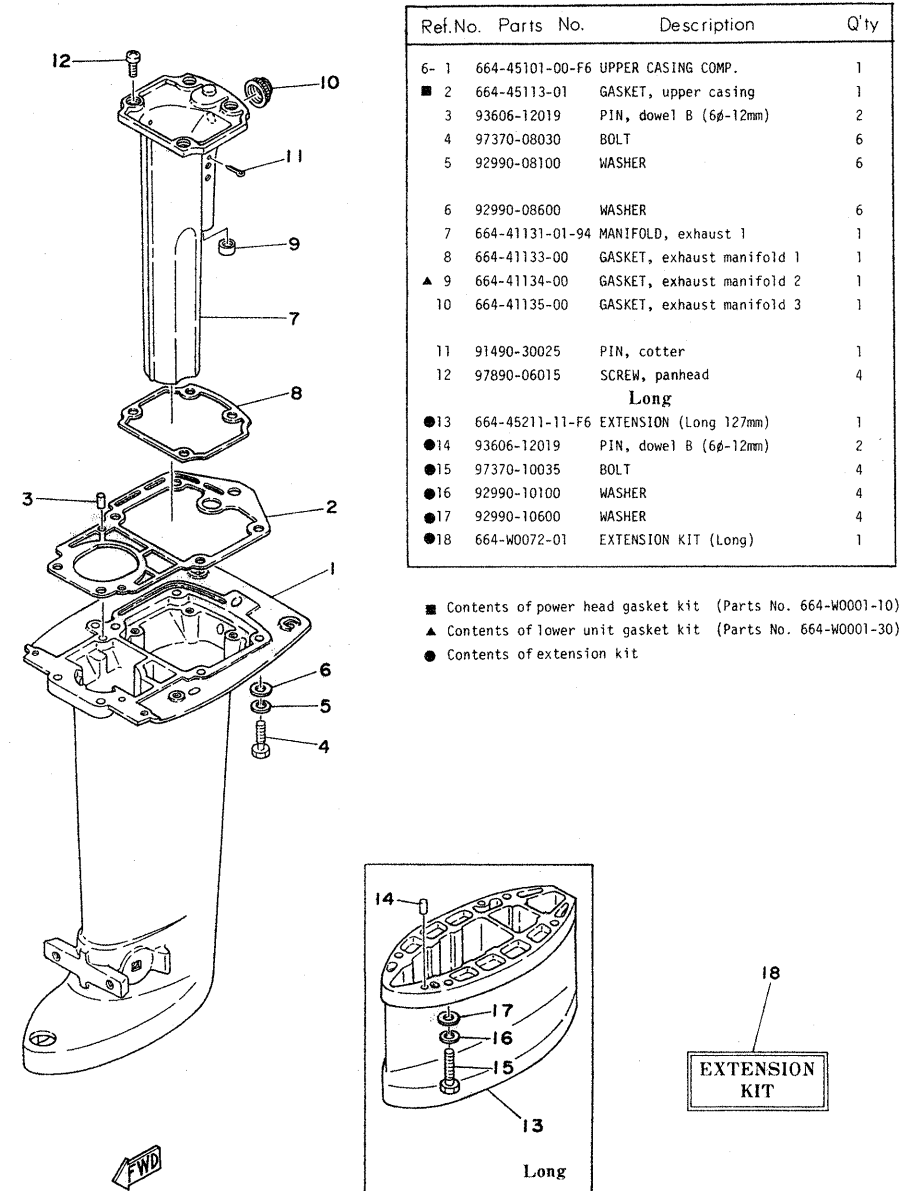
■ Contents of power head gasket kit (Parts No. 664-W0001-10)

Fig. 5 FLYWHEEL MAGNETO



Ref.No.	Parts No.	Description	Q'ty	Ref.No.	Parts No.	Description	Q'ty
5-1	656-81300-61	FLYWHEEL MAGNETO ASS'Y	1	5-22	90201-12472	WASHER (12.2φ-26φ-3.2mm)	1
2	648-81350-10	ROTOR ASS'Y	1	23	664-82316-01	BRACKET, ignition coil	2
3	648-81309-12	BASE, magneto	1	24	97323-06014	BOLT	4
4	647-81311-10	COIL, ignition 1	1	25	92903-06100	WASHER	4
5	647-81312-10	COIL, ignition 2	1	26	664-82310-11	IGNITION COIL ASS'Y 1	1
6	647-81318-10	TUBE	2	27	664-82320-11	IGNITION COIL ASS'Y 2	1
7	647-81323-10	SCREW, panhead	2	28	97323-06025	BOLT	4
8	647-81313-41	COIL, lighting	1	29	92903-06600	WASHER	4
9	98502-05030	SCREW, panhead	2	30	90464-07015	CLAMP	1
10	92901-05100	WASHER	2	31	663-82370-01	PLUG CAP ASS'Y	2
11	650-81321-10	CONTACT BREAKER ASS'Y	2	32	650-82370-00	PLUG CAP ASS'Y(Noise suppressor)	2
12	647-81325-11	CONDENSER	2	OPTIONAL PARTS			
13	207-81331-10	LUBRICATOR	2	33	664-81970-60	RECTIFIER ASS'Y	1
14	164-81246-21	SCREW, panhead	4	34	98380-05018	SCREW, cylinderhead	1
15	92901-04100	WASHER	4	35	92903-05100	WASHER	1
16	648-81315-10	LEAD WIRE ASS'Y	1	36	95380-05600	NUT	1
17	648-81362-01	COVER, hole	1	37	664-81975-40	PLATE, rectifire fitting	1
18	648-81365-00	PACKING	1	38	97323-06012	BOLT	2
19	97323-06012	BOLT	3	39	92990-06100	WASHER	2
20	92903-06200	WASHER	3	40	664-82575-41	KILL SWITCH ASS'Y	1
21	90170-12066	NUT	1	41	663-82556-70	STOPPER	1
				42	664-82521-00	WIRE, lead 1	2
				43	616-83180-30	CONCENT 2P ASS'Y	1

Fig. 6 UPPER CASING

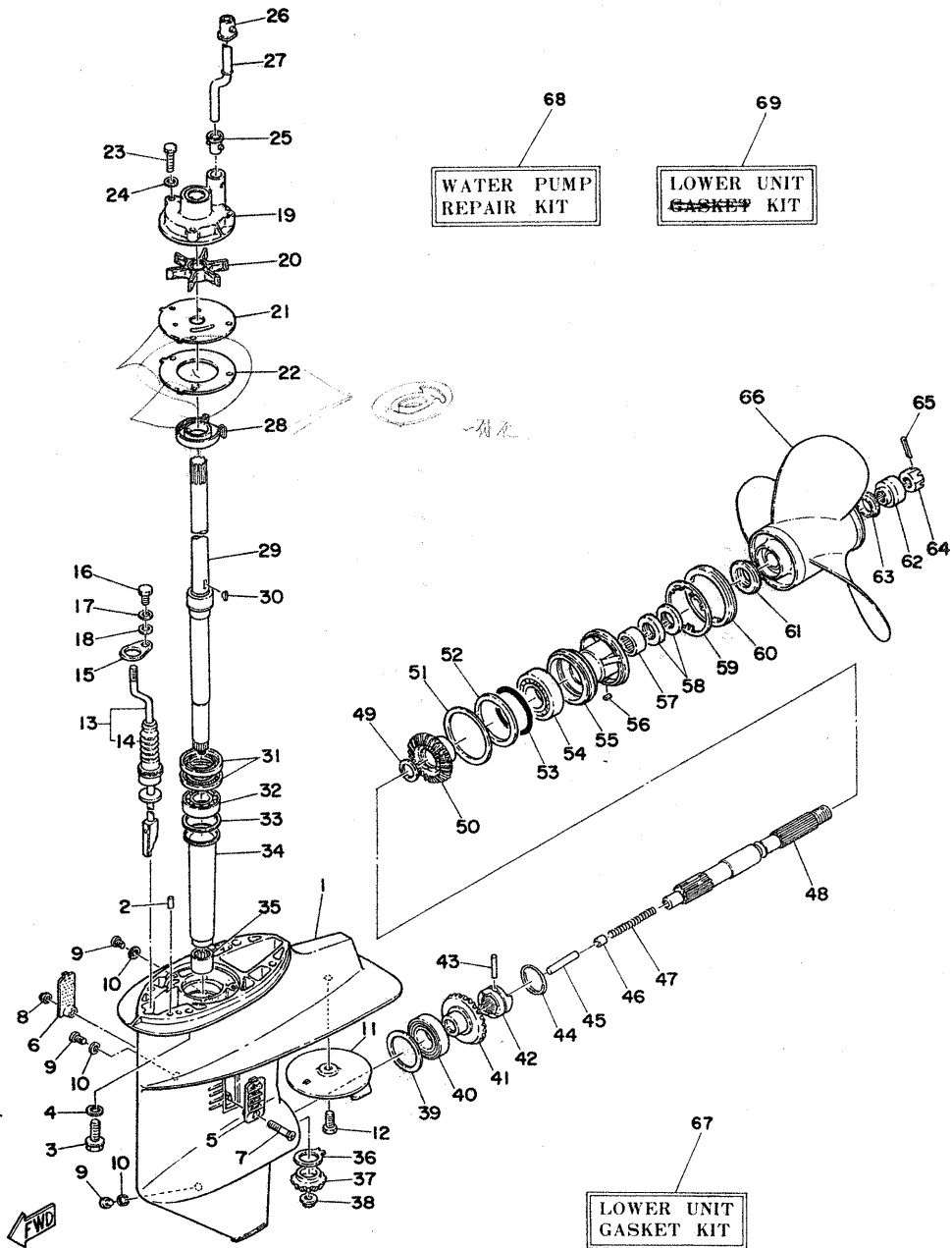


Ref.No.	Parts No.	Description	Q'ty
6-1	664-45101-00-F6	UPPER CASING COMP.	1
■ 2	664-45113-01	GASKET, upper casing	1
3	93606-12019	PIN, dowel B (6φ-12mm)	2
4	97370-08030	BOLT	6
5	92990-08100	WASHER	6
6	92990-08600	WASHER	6
7	664-41131-01-94	MANIFOLD, exhaust 1	1
8	664-41133-00	GASKET, exhaust manifold 1	1
▲ 9	664-41134-00	GASKET, exhaust manifold 2	1
10	664-41135-00	GASKET, exhaust manifold 3	1
11	91490-30025	PIN, cotter	1
12	97890-06015	SCREW, panhead Long	4
● 13	664-45211-11-F6	EXTENSION (Long 127mm)	1
● 14	93606-12019	PIN, dowel B (6φ-12mm)	2
● 15	97370-10035	BOLT	4
● 16	92990-10100	WASHER	4
● 17	92990-10600	WASHER	4
● 18	664-W0072-01	EXTENSION KIT (Long)	1

- Contents of power head gasket kit (Parts No. 664-W0001-10)
- ▲ Contents of lower unit gasket kit (Parts No. 664-W0001-30)
- Contents of extension kit

Fig. 7 LOWER & DRIVE

LOWER & DRIVE

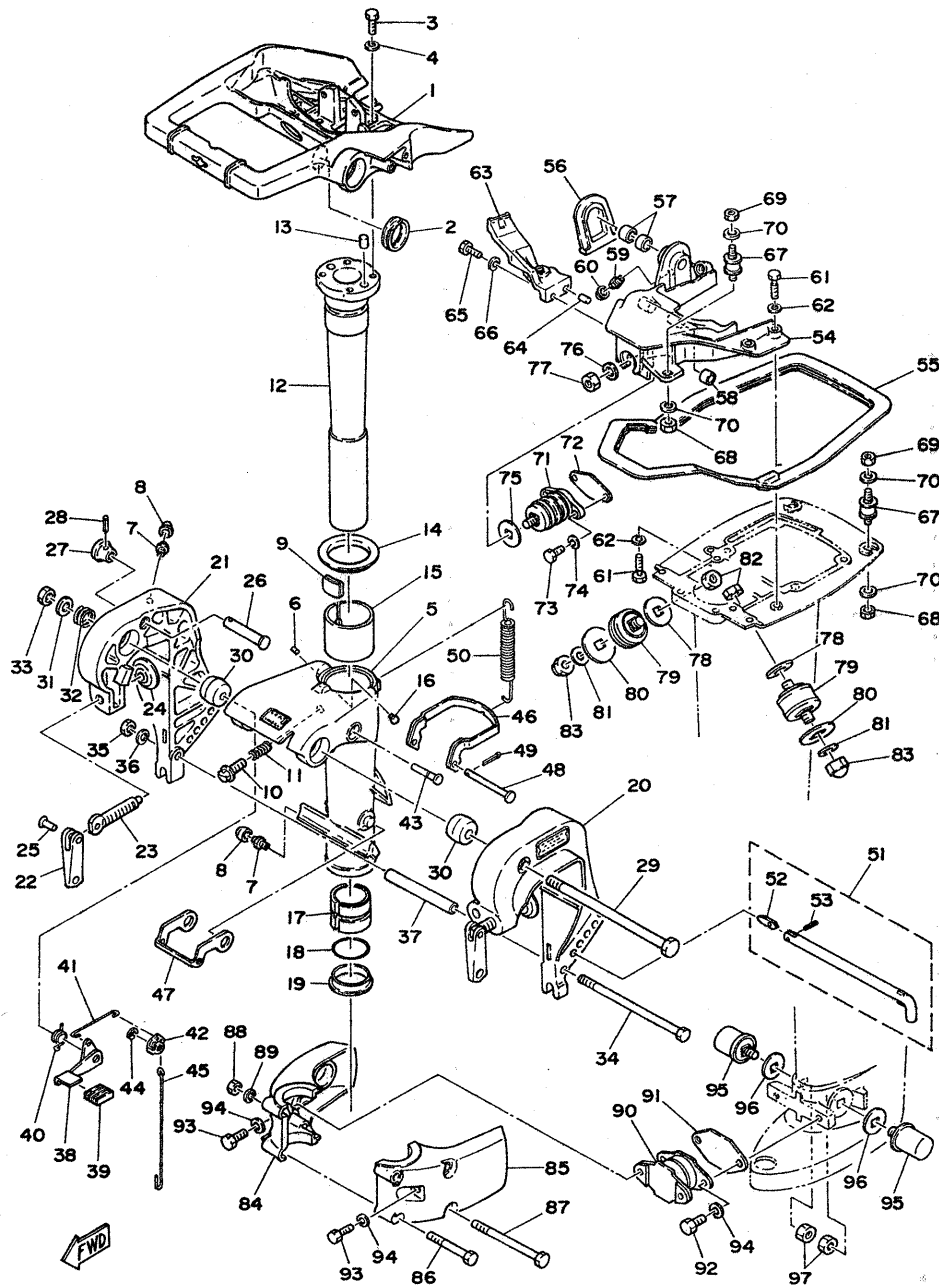


Ref.No.	Parts No.	Description	Q'ty	Ref.No.	Parts No.	Description	Q'ty
◆7-	1 664-45311-01-F6	CASING, lower	1	◆7-39	664-45567-00-05	SHIM 1 (42φ-51.5φ-0.05mm)	} U.R.
2	93606-12019	PIN, dowel B (6φ-12mm)	2	◆	664-45567-00-08	SHIM 1 (42φ-51.5φ-0.08mm)	
3	90105-10059	BOLT	4	◆	664-45567-00-12	SHIM 1 (42φ-51.5φ-0.12mm)	
4	90204-10006	WASHER	4	◆	664-45567-00-30	SHIM 1 (42φ-51.5φ-0.30mm)	
5	664-45214-00	COVER, water inlet 1	1	◆	664-45567-00-50	SHIM 1 (42φ-51.5φ-0.50mm)	
6	664-45215-00	COVER, water inlet 2	1	◆40	93332-00005	BEARING, taper roller	1
7	98180-05025	SCREW, ovalhead	1	◆41	664-45560-00	GEAR 1 ASS'Y (24T)	1
8	90185-05002	NUT, self-locking	1	◆42	664-45631-00	CLUTCH, dog	1
◆	9 90340-08014	PLUG	3	◆43	90250-05010	PIN, straight	1
▲◆10	90430-08020	GASKET	3	◆44	648-45633-00	RING, cross pin	1
11	664-45371-01	TAB, trim	1	◆45	648-45635-00	PLUNGER, shift	1
12	97470-08020	BOLT	1	◆46	648-45634-00	SLIDE, shift	1
◆13	664-44150-01	SHIFT CAM ASS'Y (Short 311mm)	1	◆47	90501-10065	SPRING	1
◆◆*	664-44150-11	SHIFT CAM ASS'Y (Long 438mm)	1	◆48	664-45611-00	SHAFT, propeller	1
◆◆◆	14 664-44147-00	BOOT, shift rod	1	◆49	90201-20540	WASHER, plate (20φ-24.5φ-1.5mm)	1
◆15	664-45321-00	PLATE	1	◆50	664-45571-00	GEAR 2 (24T)	1
◆16	97370-06010	BOLT	1	◆51	664-45577-00-05	SHIM 2 (64φ-67.4φ-0.05mm)	} U.R.
◆17	92990-06600	WASHER	1	◆	664-45577-00-08	SHIM 2 (64φ-67.4φ-0.08mm)	
◆18	92903-06200	WASHER	1	◆	664-45577-00-12	SHIM 2 (64φ-67.4φ-0.12mm)	
◆★19	664-44301-00	WATER PUMP HOUSING COMP.	1	◆	664-45577-00-30	SHIM 2 (64φ-67.4φ-0.30mm)	
◆*	664-44301-40	WATER PUMP HOUSING COMP. (Chromate)	1	◆	664-45577-00-50	SHIM 2 (64φ-67.4φ-0.50mm)	
◆◆20	664-44352-01	IMPELLER	1	◆52	664-45576-00	WASHER, thrust 2 (49φ-67φ-4mm)	1
◆◆21	664-44323-00	OUTER PLATE, cartridge	1	◆◆53	93210-62274	O-RING (2.8φ-62.0 φ)	1
◆*	664-44323-40	OUTER PLATE, cartridge(Chromate)	1	◆54	93306-00606	BEARING (B6006)	1
◆◆◆22	664-44315-00	GASKET, water pump-1	1	◆55	664-45331-00-94	HOUSING, bearing 1	1
◆◆23	90101-06M03	BOLT	3	◆56	90282-04010	KEY, straight	1
◆24	92990-06600	WASHER	3	◆57	93315-22004	BEARING, needle	1
◆◆25	626-44365-01	RUBBER, water seal 1	1	◆58	93101-20068	OIL SEAL (S-20φ-34φ-6mm)	2
◆26	664-44366-01	RUBBER, water seal 2	1	◆59	90214-45012	WASHER, claw	1
◆27	664-44361-00	TUBE, water 1 (Short 113mm)	1	◆60	664-45384-00	NUT	1
◆*	664-44361-10	TUBE, water 1 (Long 240mm)	1	◆61	664-45987-00	SPACER 1	1
◆28	664-44325-01	PROTECTOR, oil seal	1	◆62	664-45997-01-94	SPACER 2	1
◆29	664-45501-00	DRIVE SHAFT COMP. (Short 655.5mm)	1	◆63	664-45998-00	CAP, thrust plate	1
◆◆*	664-45501-10	DRIVE SHAFT COMP. (Long 782.5mm)	1	64	90171-14013	NUT, castle	1
◆◆30	664-44338-00	KEY, woodruff	1	65	91490-30022	PIN, cotter	1
◆31	93101-26073	OIL SEAL (S-26φ-45φ-6mm)	2	66	664-45911-01-36	PROPELLER ASS'Y-1 (2x9"x10" -F)	} U.R.
◆32	93306-00401	BEARING (B6004)	1	664-45941-01-36	PROPELLER ASS'Y 1 (3x9"x9" -F)		
◆33	664-45587-00-05	SHIM 3 (36φ-41.5φ-0.05mm)	} U.R.	664-45913-01-36	PROPELLER ASS'Y 2 (2x9"x12" -F)		
◆	664-45587-00-08	SHIM 3 (36φ-41.5φ-0.08mm)		664-45943-01-36	PROPELLER ASS'Y 2 (3x9"x8" -F)		
◆	664-45587-00-12	SHIM 3 (36φ-41.5φ-0.12mm)		664-45945-00-36	PROPELLER ASS'Y 3 (3x9"x10" -F)		
◆	664-45587-00-30	SHIM 3 (36φ-41.5φ-0.30mm)		664-45947-00-36	PROPELLER ASS'Y 4 (3x9"x12" -F)		
◆	664-45587-00-50	SHIM 3 (36φ-41.5φ-0.50mm)		664-45949-00-36	PROPELLER ASS'Y 5 (3x9"x13" -F)		
◆34	664-45536-00	SLEEVE, drive shaft	1	◆67	664-W0078-00	LOWER UNIT GASKET KIT	1
◆35	93315-01725	BEARING, needle	1	◆★68	664-W0078-00	WATER PUMP REPAIR KIT	1
◆36	664-45552-00	BEARING, plain	1	◆*	664-W0078-0A	WATER PUMP REPAIR KIT(Chromate)	1
◆37	664-45551-00	PINION (13T)	1	◆◆69	664-45300-00-F6	LOWER UNIT ASS'Y (Short)	1s
◆38	90179-08167	NUT	1	◆◆*	664-45300-10-F6	LOWER UNIT ASS'Y (Long)	1s

- * Not shown
- ▲ Contents of lower unit gasket kit
- ★ Contents of water pump repair kit
- ◆ Contents of extension kit (Parts No. 664-W0072-01)
- ◆ Contents of lower unit ass'y

Fig. 8 BRACKET

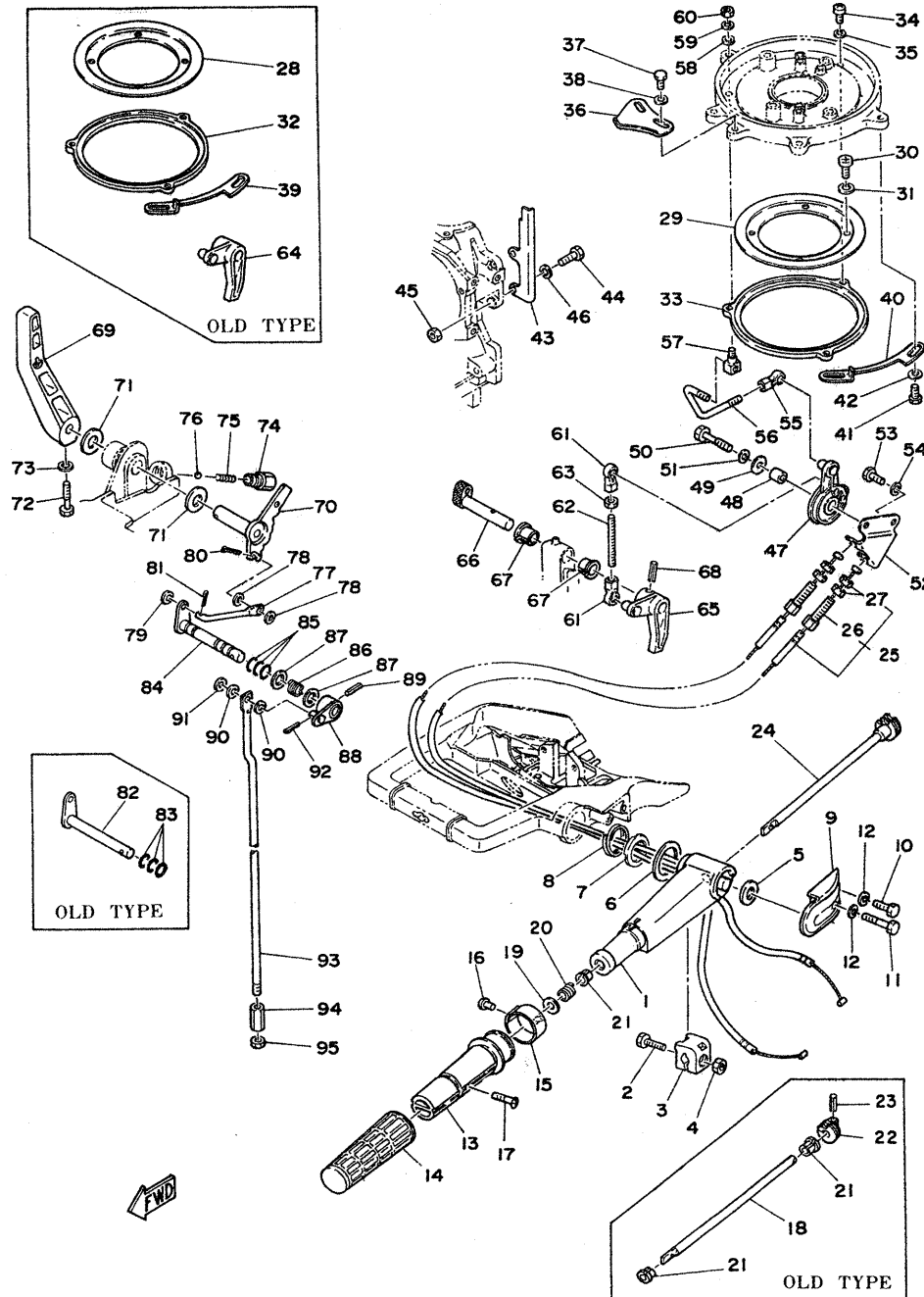
BRACKET



Ref.No.	Parts No.	Description	Q'ty	Ref.No.	Parts No.	Description	Q'ty
8-1	656-42511-01-F6	BRACKET, steering	1	8-50	90506-30055	SPRING, tension	1
2	90480-29045	GROMMET	1	51	656-43160-01	TILT ROD ASS'Y	1
3	97370-06020	BOLT	4	52	656-43165-01	STOPPER PLATE	1
4	92990-06100	WASHER	4	53	91690-30008	PIN, spring	1
5	656-43311-00-F6	BRACKET, swivel 1	1	54	648-44508-01-F6	BRACKET 1	1
6	90334-04002	PLUG, straight	1	55	648-42716-00	SEAL, rubber 1	1
7	93700-06004	NIPPLE, grease	2	56	648-42718-00	SEAL, rubber 3	1
8	663-45119-00	CAP, grease nipple	2	57	90380-12012	BUSHING	2
9	648-42528-00	PIECE, friction	1	58	90380-10M01	BUSHING	2
10	90149-08005	SCREW	1	59	93700-06004	NIPPLE, grease	1
11	90501-16099	SPRING	1	60	663-45119-00	CAP, grease nipple	1
12	648-42521-01-F6	SHAFT, steering pivot 1	1	61	97370-06025	BOLT	4
13	93608-12063	PIN, dowel B (8φ-12mm)	2	62	92990-06100	WASHER	4
14	90209-47016	WASHER	1	63	648-44519-00-F6	BRACKET 2	1
15	90386-47092	BUSHING	1	64	93606-12019	PIN, dowel B (6φ-12mm)	1
16	90241-03001	PIN, with hole	1	65	97370-06018	BOLT	1
17	90386-38022	BUSHING	1	66	92990-06100	WASHER	1
18	93210-37160	W/O-RING (2.5φ-37φ)	1	67	648-44517-00	MOUNT RUBBER, upper	4
19	90386-38090	BUSHING	1	68	95380-08700	NUT	4
20	656-43111-01-F6	BRACKET, clamp 1	1	69	95303-08700	NUT	4
21	656-43112-02-F6	BRACKET, clamp 2	1	70	92990-08600	WASHER	8
22	616-43118-00-F6	HANDLE, transom clamp	2	71	664-44516-00	MOUNT RUBBER, upper front	1
23	90149-14030	SCREW	2	72	648-44592-00	GASKET, mount rubber 2	1
24	648-43114-01	PAD, transom clamp	2	73	97370-06016	BOLT	2
25	90243-04001	PIN	2	74	92990-06100	WASHER	2
26	656-43191-00	SHAFT, stopper	1	75	648-44591-00	GASKET, mount rubber 1	1
27	648-43192-00-F6	KNOB, stopper	1	76	92990-10200	WASHER	1
28	91690-30016	PIN, spring	1	77	92880-10200	NUT	1
29	656-43131-00	BOLT, clamp bracket 1	1	78	648-44591-00	GASKET, mount rubber 1	2
30	648-43136-00	PIECE, friction	2	79	664-44514-00-94	MOUNT RUBBER, upper side 1	2
31	90201-10130	WASHER (10.5φ-20φ-1.5~1.6mm)	1	80	664-44591-00	GASKET, mount rubber 1	2
32	90504-59006	SPRING	1	81	92990-10200	WASHER	2
33	95380-10600	NUT	1	82	92880-10200	NUT	2
34	90101-08339	BOLT	1	83	92890-10700	NUT, crown	2
35	95380-08600	NUT	1	84	664-44551-00-F6	HOUSING, lower mount rubber 1	1
36	92990-08100	WASHER	1	85	664-44552-00-F6	HOUSING, lower mount rubber 2	1
37	90387-09074	COLLAR (9.2φ-13.8φ-103mm)	1	86	97370-08060	BOLT	2
38	656-43631-00	LEVER, tilt 1	1	87	97370-08100	BOLT	2
39	648-43633-00	COVER, tilt lever 1	1	88	95380-08600	NUT	4
40	90508-16018	SPRING, torsion	1	89	92990-08100	WASHER	4
41	648-43616-00	ROD, tilt lock 1	1	90	648-44557-03	MOUNT RUBBER, lower front	1
42	648-43642-00	LEVER, tilt 2	1	91	648-44593-00	GASKET, mount rubber 3	1
43	90249-06120	PIN	1	92	97370-08016	BOLT	2
44	93430-05027	CIRCLIP (E-5φ)	1	93	97370-08020	BOLT	2
45	648-43617-00	ROD, tilt lock 2	1	94	92990-08100	WASHER	4
46	648-43614-00-F6	PLATE, tilt lock 1	1	95	664-44555-00	MOUNT RUBBER, lower side	2
47	648-43615-00-F6	PLATE, tilt lock 2	1	96	648-44591-00	GASKET, mount rubber 1	2
48	90240-05046	PIN, with hole	1	97	92880-10200	NUT	2
49	91490-16010	PIN, cotter	1				

Fig. 9 CONTROL

CONTROL

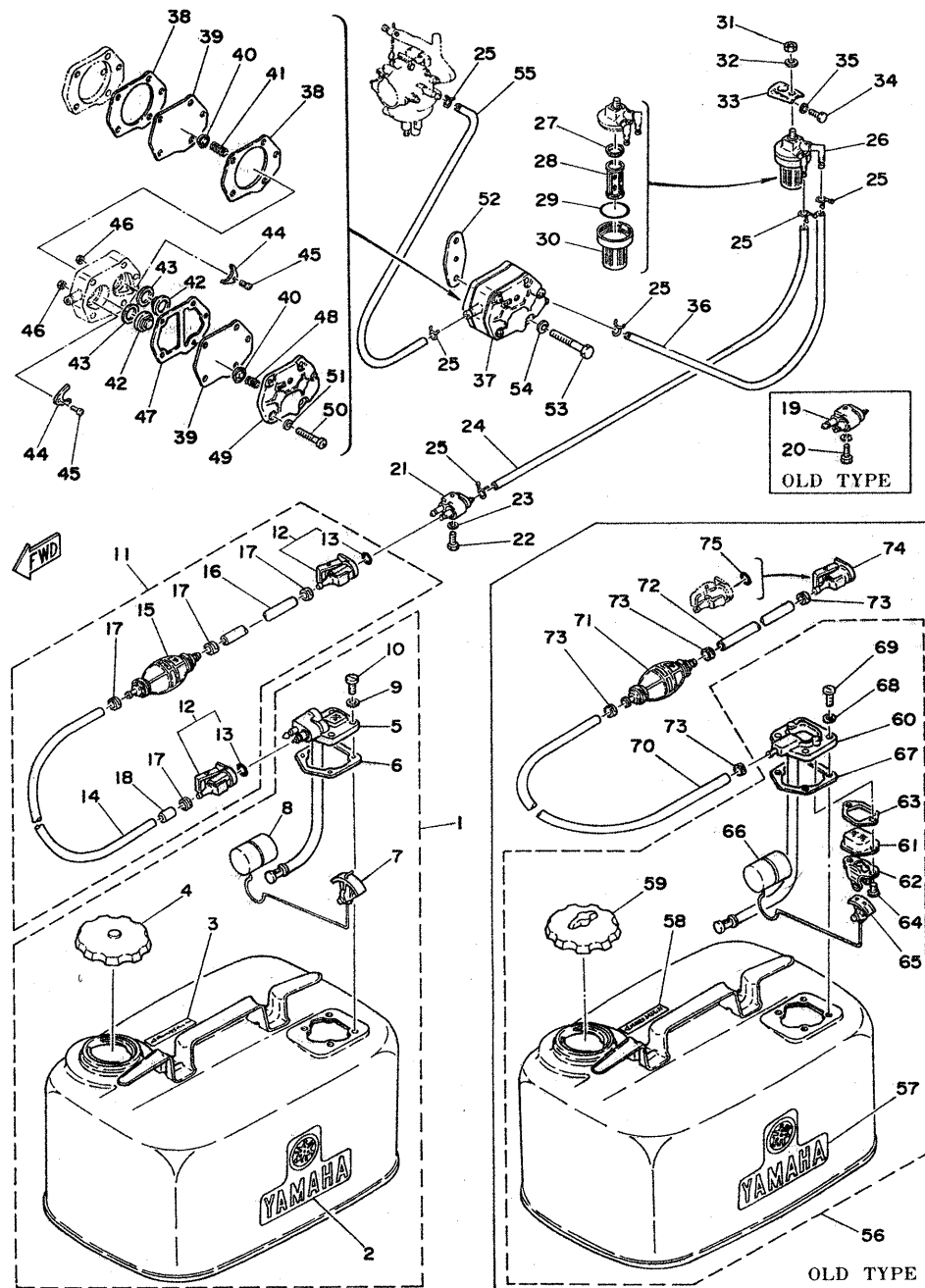


Ref.No.	Parts No.	Description	Q'ty	Ref.No.	Parts No.	Description	Q'ty
9-1	664-42111-01-F6	HANDLE, steering 1	1	9-48	90387-06M02	COLLAR (6.3φ-10φ-10.5mm)	1
2	97370-06020	BOLT	1	49	90387-06298	COLLAR (6.5φ-17φ-1.6mm)	1
3	656-42126-01	PIECE, friction	1	50	97323-06030	BOLT	1
4	90185-06062	NUT	1	51	92903-06100	WASHER	1
5	90560-14076	SPACER (14φ-28φ-3mm)	1	52	664-14497-00	STAY, throttle wire	1
6	90202-34043	WASHER (34φ-42φ-1.5mm)	1	53	97323-06014	BOLT	1
7	656-42155-00	SPACER, handle 1	1	54	92903-06100	WASHER	1
8	90501-20001	SPRING, compression	1	55	662-41237-00	JOINT, link 2	1
9	656-42112-00-F6	HANDLE, steering 2	1	56	664-41636-00	ROD, magneto control	1
10	97323-06020	BOLT	1	57	648-41635-00	SHAFT, link connecting	1
11	97323-06035	BOLT	1	58	90201-05556	WASHER (5.2φ-15φ-2mm)	1
12	92990-06100	WASHER	2	59	92903-05100	WASHER	1
13	664-42119-00	GRIP, steering handle	1	60	95303-05600	NUT	1
14	647-42177-00	RUBBER, handle 1	1	61	662-41237-00	JOINT, link 2	2
15	664-42137-00	INDICATOR, throttle	1	62	90116-05220	BOLT, stud	1
16	90269-02001	RIVET	1	63	95302-05600	NUT	1
17	98180-05025	SCREW, ovalhead	1	64	664-42154-00-94	LEVER, throttle control	1
18	664-42115-00	SHAFT, steering handle	1	65	664-42154-01-94	LEVER, throttle control	1
19	92903-10600	WASHER	1	66	656-42153-00-F6	SHAFT, throttle control	1
20	90501-23215	SPRING, compression	1	67	90386-10009	BUSHING	2
21	90386-08032	BUSHING	1	68	91690-40018	PIN, spring	1
22	648-42138-00	LEVER, throttle	1	69	656-44111-01-F6	HANDLE, gear shift	1
23	91690-30025	PIN, spring	1	70	656-44113-01	CAM, plate handle	1
24	664-42138-00	LEVER, throttle	1	71	90202-12031	WASHER (12.2φ-24φ-0.7mm)	2
25	664-26311-01	THROTTLE WIRE COMP.	2	72	97370-06025	BOLT	1
26	90123-06065	BOLT, adjusting	2	73	92990-06100	WASHER	1
27	90170-06183	NUT	4	74	648-42715-00	BUSHING 2	1
28	664-41612-00	RETAINER, magneto base 2	1	75	90501-12333	SPRING, compression	1
29	664-41612-01	RETAINER, magneto base 2	1	76	93501-04011	BALL (1/4")	1
30	92503-06020	SCREW, panhead	4	77	664-44142-00	JOINT	1
31	92903-06100	WASHER	4	78	90202-06007	WASHER (6φ-13φ-0.5mm)	2
32	648-41611-00-94	RETAINER, magneto base 1	1	79	92990-05600	WASHER	1
33	664-41611-00-94	RETAINER, magneto base 1	1	80	91490-16010	PIN, cotter	1
34	97803-05010	SCREW, panhead	3	81	91490-12010	PIN, cotter	1
35	92903-05100	WASHER	3	82	664-44121-01	LEVER, shift rod 1	1
36	664-41213-00	CAM, accel.	1	83	93210-07222	O-RING (1.9φ-6.8φ)	3
37	97323-05010	BOLT	2	84	664-44121-02	LEVER, shift rod 1	1
38	92903-05600	WASHER	2	85	93210-09M01	O-RING (0.9φ-8.5φ)	3
39	664-41615-00	STOPPER, magneto base 1	1	86	90508-14272	SPRING, torsion	1
40	664-41615-01	STOPPER, magneto base 1	1	87	90202-10024	WASHER (10.2φ-16φ-0.7mm)	2
41	97323-06012	BOLT	2	88	664-44125-00	LEVER, shift rod 2	1
42	92903-06200	WASHER	2	89	91690-40016	PIN, spring	1
43	648-41616-00	STOPPER, magneto base 2	1	90	90202-06007	WASHER (6φ-13φ-0.5mm)	2
44	97323-06020	BOLT, hexagon	2	91	92990-05200	WASHER	1
45	95303-06600	NUT	2	92	91490-20010	PIN, cotter	1
46	92903-06100	WASHER	2	93	664-44143-00	ROD, shift 1	1
47	664-41631-00-94	LEVER, magneto control	1	94	648-44146-00	CONNECTOR, shift rod 2	1
				95	90170-07021	NUT	1

▲ 28A S: 04605 and below L: 38145 and below 28AE S: 25800 and below L: 56820 and below ▼ 28A S: 04406 and up L: 38146 and up 28AE S: 25801 and up L: 56821 and up
 ▲ 28A S: 10710 and below L: 48400 and below 28AE S: 27310 and below L: 59790 and below ▼ 28A S: 664-150101 and up L: 664-450101 and up 28AE S: 664-270101 and up L: 664-570101 and up

* New parts number

Fig. 10 FUEL SECTION



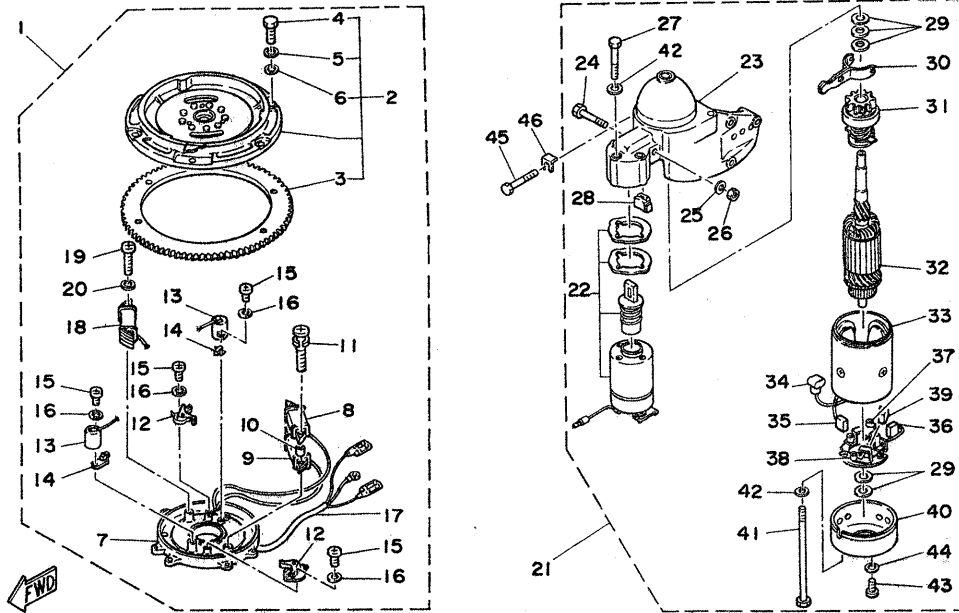
FUEL SECTION

Ref.No.	Parts No.	Description	Q'ty	Ref.No.	Parts No.	Description	Q'ty	
▶ 10-	1	*656-24202-03-24 FUEL TANK ASS'Y	1	10-39	648-24411-00	. DIAPHRAGM	2	
	2	656-24244-01 . GRAPHIC, side	2	40	648-24424-00	. PLATE, spring guide	2	
	3	656-24245-00 . GRAPHIC	1	41	648-24423-00	. SPRING, diaphragm	1	
▶ 4	*802-24610-00	. CAP ASS'Y	1	42	648-24421-00	. VALVE SUB-ASS'Y	2	
▶ 5	*656-24275-03	. FUEL METER COMP.	1	43	648-24431-00	. GASKET	2	
	6	663-24268-00 . GASKET, fuel meter housing	1	44	648-24422-01	. PLATE	2	
▶ 7	*656-24241-03	. INDICATOR	1	45	98503-03008	. SCREW, panhead	2	
	8	663-24264-00 . FLOAT	1	46	95313-03600	. NUT	2	
	9	630-24329-00 . SEAL	4	47	648-24435-02	. GASKET, body 2	1	
▶ 10	*98380-05018	. SCREW, cylinderhead	4	48	648-24454-00	. SPRING	1	
	▶ 11	*663-24310-00	FUEL PIPE ASS'Y	1	49	648-24413-01	. COVER, pump	1
	12	655-24305-00	. FUEL PIPE JOINT COMP. 2	2	50	98503-05028	. SCREW, panhead	3
	13	93210-08287	. O-RING (3.0φ-8.0φ)	2	51	92990-05100	. WASHER, spring	3
▶ 14	*90445-12207	. HOSE (6φ-11.5φ-2400mm)	1	■ 52	650-24431-00	GASKET, fuel pump	1	
	15	650-24360-01	. PRIMARY PUMP ASS'Y	1	53	97323-06040	BOLT	2
	16	90445-12155	. HOSE (6φ-11.5φ-1000mm)	1	54	92903-06100	WASHER	2
	17	650-24351-00	. BAND, fuel pipe	4	55	648-24312-01	HOSE (6φ-10φ-150mm)	1
▶ 18	*663-24397-00	. COLLAR	1	OLD TYPE				
▶ 19	655-24304-01	FUEL PIPE JOINT COMP. 1	1	◀ 56	656-24202-02-24	FUEL TANK ASS'Y	1	
▶ 20	97323-06018	BOLT	1	57	656-24244-01	. GRAPHIC, side	2	
	▶ 21	*655-24304-02	FUEL PIPE JOINT COMP. 1	1	58	656-24245-00	. GRAPHIC	1
	▶ 22	*97323-06020	BOLT	1	◀ 59	647-24610-02	. CAP ASS'Y	1
	23	92990-06100	WASHER	1	▶ 60	656-24275-60	. FUEL METER COMP.	1
	24	90445-09251	HOSE (5φ-9φ-350mm)	1	◀ 61	630-24263-01	. LENS, indicator	1
	25	90467-08004	CLIP	6	◀ 62	630-24262-01	. SUPPORT, indicator	1
	26	655-24560-00	FILTER ASS'Y	1	◀ 63	630-24269-01	. GASKET, support indicator	1
■ 27	655-24564-00	. PACKING	1	◀ 64	98503-05010	. SCREW, panhead	2	
28	655-24562-00	. ELEMENT, filter	1	◀ 65	663-24241-00	. INDICATOR	1	
■ 29	93210-35339	. O-RING (2φ-34.5φ)	1	66	663-24264-00	. FLOAT	1	
30	655-24521-00	. CUP, filter	1	67	663-24268-00	. GASKET, fuel meter housing	1	
31	95303-08600	NUT	1	68	630-24329-00	. SEAL	4	
32	92903-08100	WASHER	1	▶ 69	98580-05015	. SCREW, panhead	4	
33	648-24566-01	BRACKET, filter	1	▶ 70	90445-12207	HOSE (6φ-11.5φ-2400mm)	1	
34	97323-06014	BOLT	1	71	650-24360-01	PRIMARY PUMP ASS'Y	1	
35	92903-06100	WASHER	1	72	90445-12155	HOSE (6φ-11.5φ-1000mm)	1	
	36	664-24311-00	HOSE (5φ-9φ-110mm)	1	73	650-24351-00	BAND, fuel pipe	4
	37	663-24410-00	FUEL PUMP ASS'Y	1	74	655-24305-00	FUEL PIPE JOINT COMP. 2	1
	38	648-24434-00	. GASKET, body 1	2	75	93210-08287	. O-RING (3.0φ-8.0φ)	1

◀ 28A S: 10710 and below L: 48400 and below ▶ 28A S: 664-150101 and up L: 664-450101 and up 28AE S: 664-270101 and up L: 664-570101 and up

* New parts number
 ■ Contents of power head gasket kit (Part No. 664-W0001-10)

Fig. 1 | OPTIONAL PARTS 1 (ELECTRIC STARTER)

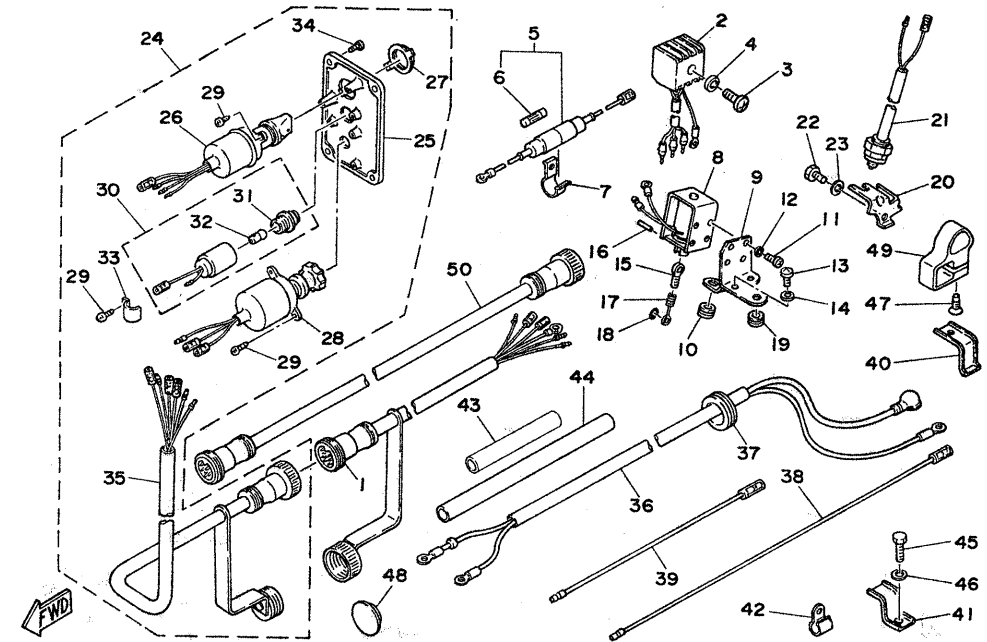


Ref.No.	Parts No.	Description	Q'ty	Ref.No.	Parts No.	Description	Q'ty
11-1	648-81300-63	FLYWHEEL MAGNETO ASS'Y	1	11-25	92903-06100	WASHER	1
2	648-81350-11	ROTOR ASS'Y	1	26	95303-06600	NUT	1
3	648-81891-00	GEAR, ring	1	27	648-81846-40	BOLT 3	3
4	97303-06018	BOLT	6	28	648-81829-40	GROMMET	1
5	92903-06100	WASHER	6	29	648-81809-40	WASHER KIT	1
6	92903-06200	WASHER	6	30	648-81839-40	LEVER, shift	1
7	648-81309-12	BASE, magneto	1	31	648-81832-40	GEAR ASS'Y	1
8	647-81311-10	COIL, ignition 1	1	32	648-81850-40	ARMATURE ASS'Y 1	1
9	647-81312-10	COIL, ignition 2	1	33	648-81810-40	STATOR ASS'Y	1
10	647-81318-10	TUBE	2	34	648-81862-40	CAP	1
11	647-81323-10	SCREW, panhead	2	35	648-81811-40	BRUSH 1 (+)	1
12	650-81321-10	CONTACT BREAKER ASS'Y	2	36	648-81812-40	BRUSH 2 (-)	1
13	647-81325-11	CONDENSER	2	37	648-81813-40	SPRING, brush	2
14	207-81331-10	LUBRICATOR	2	38	648-81814-40	SPRING, friction piece	1
15	164-81246-21	SCREW, panhead	4	39	648-81827-40	PIECE, friction	1
16	92901-04100	WASHER	4	40	648-81820-40	REAR COVER ASS'Y	1
17	648-81315-10	LEAD WIRE ASS'Y	1	41	648-81826-40	BOLT	2
18	647-81313-41	COIL, lighting	1	42	92903-05100	WASHER	3
19	98502-05030	SCREW, panhead	2	43	98503-04012	SCREW, panhead	2
20	92901-05100	WASHER	2	44	92901-04100	WASHER	2
21	648-81800-41	ELECTRIC MOTOR ASS'Y	1	45	97323-06040	BOLT	1
22	648-81860-41	MAGNETIC SWITCH 1	1	46	648-81893-40	SHIM, gear adjusting	1
23	648-81830-41	GEAR CASE ASS'Y	1				
24	648-81828-40	BOLT 2	1				

The following parts are not used when using the electric starter.

1-23	664-82550-00	STOP SWITCH ASS'Y	1	5-1	656-81300-61	FLYWHEEL MAGNETO ASS'Y	1
2-24	648-15772-00-94	STAY 2	1	4-11	97323-06035	BOLT	1

Fig. 12 OPTIONAL PARTS 2 (ELECTRIC STARTER)

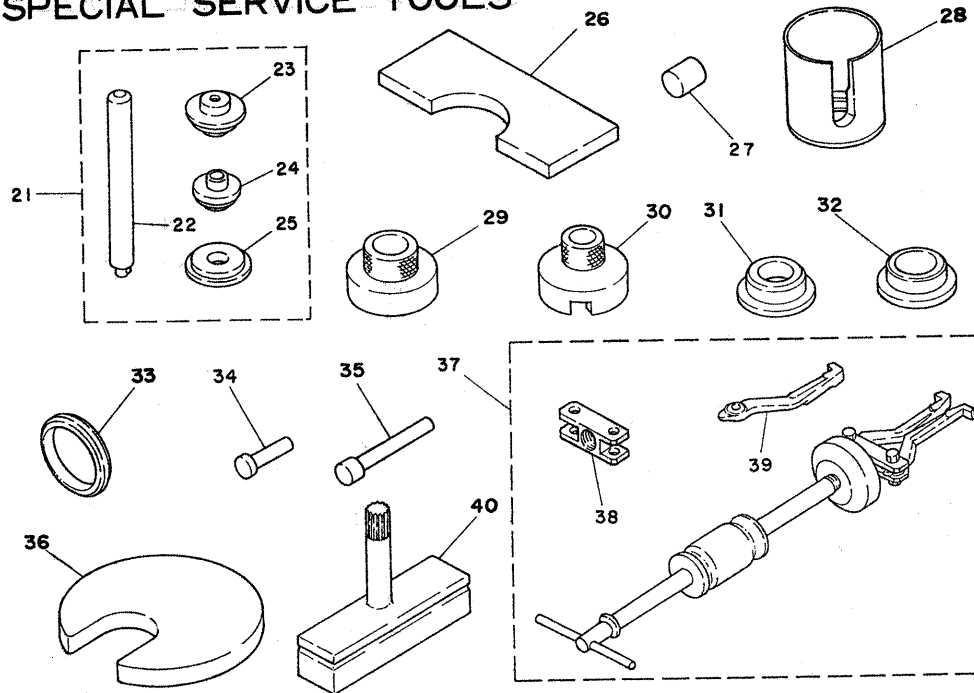


Ref.No.	Parts No.	Description	Q'ty	Ref.No.	Parts No.	Description	Q'ty
12-1	664-82590-00	WIRE HARNESS ASS'Y	1	12-26	648-82508-40	MAIN SWITCH ASS'Y	1
2	664-81970-60	RECTIFIER ASS'Y	1	27	648-82584-40	CAP, switch	1
3	97803-05025	SCREW, panhead	1	28	648-82502-41	SUB SWITCH ASS'Y	1
4	92903-05100	WASHER	1	29	648-82573-40	SCREW, special 2	6
5	664-82150-01	FUSE HOLDER ASS'Y	1	30	648-84301-40	PILOT LAMP ASS'Y	1
6	663-82151-00	FUSE	1	31	648-83583-40	LENS, pilot	1
7	90462-10021	CLAMP	1	32	123-83516-21	BULB, pilot (12V-3W)	1
8	664-86111-00	SOLENOID ASS'Y	1	33	648-82594-40	CLAMP, wire harness	1
9	664-86112-00	STAY, solenoid	1	34	648-82572-40	SCREW, special 1	4
10	648-86115-40	GROMMET	1	35	648-82580-40	WIRE HARNESS ASS'Y 2	1
11	98503-03006	SCREW, panhead	4	36	664-82105-00	LEAD WIRE ASS'Y	1
12	92903-03100	WASHER	4	37	664-42724-40	GROMMET 1	1
13	97803-05012	SCREW, panhead	2	38	664-82521-00	WIRE, lead 1	2
14	92903-05100	WASHER	2	39	664-82531-00	WIRE, lead 2	1
15	663-86117-00	HOOK, wire pull	1	40	90465-10071	CLAMP	1
16	91690-30010	PIN, spring	1	41	90462-10018	CLAMP	2
17	664-86116-00	WIRE, pull	1	42	90461-06015	CLAMP	1
18	93210-03261	O-RING (1.2ø-2.8ø)	1	43	90446-15105	HOSE (13ø-15ø-150mm)	1
19	90480-10155	GROMMET	1	44	90446-15104	HOSE (13ø-15ø-200mm)	1
20	656-15774-41	STAY 4	1	45	97323-06014	BOLT	3
21	656-82540-41	NEUTRAL SWITCH ASS'Y	1	46	92903-06100	WASHER	3
22	97303-06012	BOLT	1	47	90161-06001	SCREW, flathead tapping	1
23	92903-06100	WASHER	1	48	90480-17165	GROMMET	1
24	648-82570-40	SWITCH PANEL ASS'Y	1	49	90464-18018	CLAMP	1
25	648-82571-40	PANEL, switch	1	50	656-82586-40	EXTENSION, wire harness	1

The following parts are not used when using the electric starter.

1-21	664-42724-00	GROMMET 1	1	2-44	656-15774-00	STAY 4	1
------	--------------	-----------	---	------	--------------	--------	---

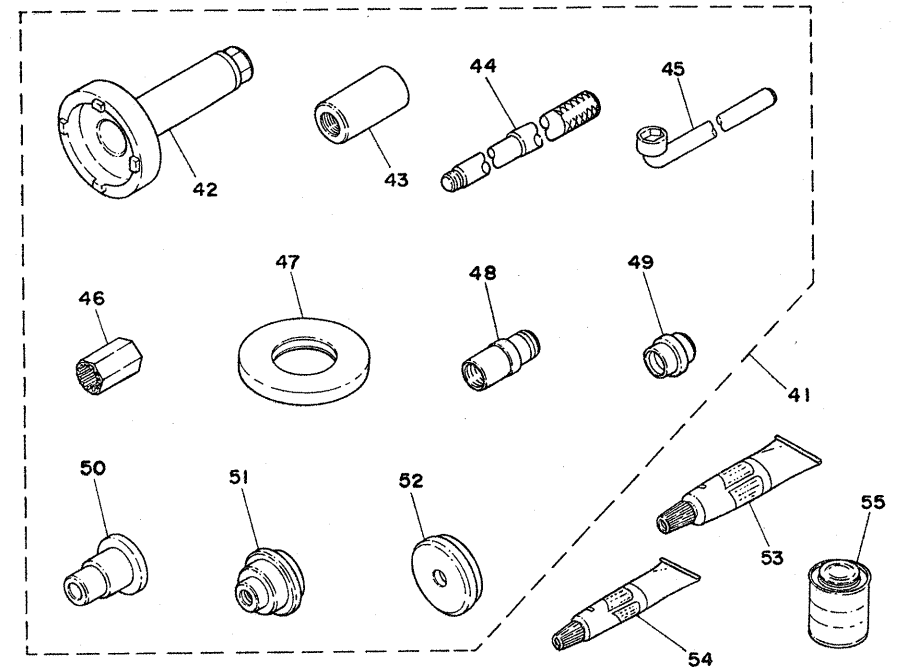
SPECIAL SERVICE TOOLS



Ref. No.	Parts No.	Description	Q'ty	Applicable Machine	Remarks
14-21	90890-06121	BEARING INSTALLING TOOL ASS'Y	1s	※※	
22	90890-06013	. HANDLE	1	※※	
23	90890-06016	. ATTACHMENT C	1	※※	
24	90890-06017	. ATTACHMENT D	1	※※	
25	90890-06018	. GUIDE X	1	※※	
26	90890-02345	SUPPORT A	1	※※	
27	90890-06106	BEARING CON-ROD SMALL END INSTALLATION	1	※※	
28	90890-02329	BODY 1	1	※※	
29	90890-02330	BODY, press 1	1	※※	
30	90890-02331	BODY, press 2	1	※※	
31	90890-02333	SPACER B (d=25φ)	2	※※	
32	90890-02334	SPACER C (d=33φ)	1	※※	20A,25A,25B,28A
33	90890-02337	RING, spacer B (t=16mm)	1	※※	20A,25A,25B,28A
34	90890-02340	PIN, press A	1	※※	
35	90890-02341	PIN, press B	1	※※	
36	90890-02343	PLATE B	2	※※	20A,25A,25B,28A
37	90890-06096	SLIDE HAMMER PULLER ASS'Y	1	※※	
38	90890-06077	. HANGER	1	※※	
39	90890-06092	. CLAW, slide hammer puller	3	※※	
40	90890-06135	POWER UNIT STAND	1	※※	

Tools with ※ marks are for the use of 28A/28AE.
Tools with ※※ marks are for common use.

SPECIAL SERVICE TOOLS



Ref. No.	Parts No.	Description	Q'ty	Applicable Machine	Remarks
14-41	90890-06086	28A TOOL KIT	1s	※	
42	90890-06075	. TORQUING TOOL, housing nut	1	※	
43	90890-06076	. PULLER, head	1	※	
44	90890-06071	. ROD, driver	1	※	
45	90890-06078	. WRENCH, pinion nut (B-12)	1	※	
46	90890-06079	. TORQUING TOOL, pinion nut	1	※	
47	90890-06080	. PLATE, needle bearing	1	※	
48	90890-06081	. ATTACHMENT, lower case	1	※	
49	90890-06082	. ATTACHMENT, housing	1	※	
50	90890-06083	. ATTACHMENT, housing	1	※	
51	90890-06084	. ATTACHMENT, housing oil seal	1	※	
52	90890-06085	. DRIVER HEAD, housing outer race	1	※	
YAMAHA BOND					
53	90890-05143	YAMAHA BOND 4	1		200g
54	90890-05144	YAMAHA BOND 5	1		150g
55	90890-05074	YAMAHA BOND 7	1		100g

Tools with ※ marks are for the use of 28A/28AE.
Tools with ※※ marks are for common use.

NUMERICAL INDEX

Ref. No.	Parts No.	Ref. No.	Parts No.	Ref. No.	Parts No.	Ref. No.	Parts No.	Ref. No.	Parts No.
9-75	90501-12333	14-19	90890-06089	2-29	92903-06100	13-25	92990-08200	4-17	95303-06600
8-11	90501-16099	14-39	90890-06092	2-46	92903-06100	6- 6	92990-08600	9-45	95303-06600
9- 8	90501-20001	14-37	90890-06096	3-22	92903-06100	8-70	92990-08600	11-26	95303-06600
9-20	90501-23215	14-27	90890-06106	3-32	92903-06100	6-16	92990-10100	2-13	95303-08600
8-32	90504-59006	14- 6	90890-06117	3-35	92903-06100	13-33	92990-10100	2-20	95303-08600
8-50	90506-30055	14- 8	90890-06118	4-12	92903-06100	8-76	92990-10200	10-31	95303-08600
9-86	90508-14272	14-13	90890-06120	5-25	92903-06100	8-81	92990-10200	8-69	95303-08700
8-40	90508-16018	14-21	90890-06121	9-31	92903-06100	6-17	92990-10600	10-46	95313-03600
2- 4	90510-08002	14-40	90890-06135	9-51	92903-06100	13-34	92990-10600	5-36	95380-05600
9- 5	90560-14076	14- 9	90890-06136	9-46	92903-06100	7-58	93101-20068	8-35	95380-08600
14- 3	90890-01037	14-10	90890-06137	9-54	92903-06100	7-31	93101-26073	8-88	95380-08600
14- 1	90890-01613	14- 5	90890-06139	10-35	92903-06100	3-25	93102-23096	8-68	95380-08700
14-28	90890-02329	2-18	90890-44373	10-54	92903-06100	3-59	93102-25114	8-33	95380-10600
14-29	90890-02330	9-81	91490-12010	11- 5	92903-06100	3-60	93104-16050	13-35	95380-10600
14-30	90890-02331	2-39	91490-16010	11-25	92903-06100	12-18	93210-03261	13-36	95480-51175
14-31	90890-02333	8-49	91490-16010	12-23	92903-06100	9-83	93210-07222	12-22	97303-06012
14-32	90890-02334	9-80	91490-16010	12-46	92903-06100	10-13	93210-08287	11- 4	97303-06018
14-33	90890-02337	9-92	91490-20010	4-14	92903-06200	10-75	93210-08287	3- 6	97313-08045
14-34	90890-02340	7-65	91490-30022	5-20	92903-06200	9-85	93210-09M01	3-15	97313-08050
14-35	90890-02341	6-11	91490-30025	7-18	92903-06200	3-57	93210-16275	3- 7	97313-08055
14-36	90890-02343	8-53	91690-30008	9-42	92903-06200	10-29	93210-35339	9-37	97323-05010
14-26	90890-02345	12-16	91690-30010	11- 6	92903-06200	8-18	93210-37160	1-20	97323-06010
14- 2	90890-03097	13-22	91690-30012	2-40	92903-06600	7-53	93210-62274	2-45	97323-06012
14- 4	90890-03098	13-28	91690-30012	4-18	92903-06600	7-32	93306-00401	3-34	97323-06012
14-55	90890-05074	8-28	91690-30016	5-29	92903-06600	7-54	93306-06606	5-19	97323-06012
14-53	90890-05143	9-23	91690-30025	2-22	92903-08100	3-50	93306-30510	5-38	97323-06012
14-54	90890-05144	4-22	91690-40016	10-32	92903-08100	3-45	93310-522A4	9-41	97323-06012
14- 7	90890-06003	9-89	91690-40016	2-21	92903-08200	7-35	93315-01725	5-24	97323-06014
14-11	90890-06003	9-68	91690-40018	9-19	92903-10600	7-57	93315-22004	9-53	97323-06014
14-12	90890-06007	2- 5	91690-40020	4-40	92990-04100	7-40	93332-00005	10-34	97323-06014
14-15	90890-06009	3-12	92280-06020	4-54	92990-05100	3-46	93390-00009	12-45	97323-06014
14-22	90890-06013	9-30	92503-06020	10-51	92990-05100	4-48	93430-04031	2-15	97323-06015
14-23	90890-06016	8-77	92880-10200	4-50	92990-05200	8-44	93430-05027	10-20	97323-06018
14-24	90890-06017	8-82	92880-10200	9-91	92990-05200	2- 8	93430-06005	2-28	97323-06020
14-25	90890-06018	8-97	92880-10200	9-79	92990-05600	3-48	93440-62021	2-42	97323-06020
14-14	90890-06033	8-83	92890-10700	1-19	92990-06100	3-49	93440-62057	3-21	97323-06020
14-16	90890-06034	5-15	92901-04100	5-39	92990-06100	3-56	93450-20026	9-10	97323-06020
14-17	90890-06035	11-16	92901-04100	8- 4	92990-06100	9-76	93501-04011	9-44	97323-06020
14-18	90890-06036	11-44	92901-04100	8-62	92990-06100	3-53	93602-20M02	10-22	97323-06020
14-44	90890-06071	5-10	92901-05100	8-66	92990-06100	3- 5	93606-12019	2-25	97323-06025
14-20	90890-06073	11-20	92901-05100	8-74	92990-06100	6- 3	93606-12019	3-29	97323-06025
14-42	90890-06075	12-12	92903-03100	9-12	92990-06100	6-14	93606-12019	4-10	97323-06025
14-43	90890-06076	5-35	92903-05100	9-73	92990-06100	7- 2	93606-12019	5-28	97323-06025
14-38	90890-06077	9-35	92903-05100	10-23	92990-06100	8-64	93606-12019	3-30	97323-06030
14-45	90890-06078	9-59	92903-05100	7-17	92990-06600	8-13	93608-12063	9-50	97323-06030
14-46	90890-06079	11-42	92903-05100	7-24	92990-06600	8- 7	93700-06004	3-31	97323-06035
14-47	90890-06080	12- 4	92903-05100	13-13	92990-06600	8-59	93700-06004	4-11	97323-06035
14-48	90890-06081	13-16	92903-05100	13-16	92990-06600	3-36	94701-00040	9-11	97323-06035
14-49	90890-06082	4- 4	92903-05300	6- 5	92990-08100	9-63	95302-05600	2-26	97323-06040
14-50	90890-06083	2-37	92903-05600	8-36	92990-08100	9-60	95303-05600	10-53	97323-06040
14-51	90890-06084	9-38	92903-05600	8-89	92990-08100	4-53	95303-05700	11-45	97323-06040
14-52	90890-06085	2-16	92903-06100	8-94	92990-08100	2-35	95303-06600	2-11	97323-08025
14-41	90890-06086	2-27	92903-06100	13-19	92990-08200	4-13	95303-06600	7-16	97370-06010

NUMERICAL INDEX

Ref. No.	Parts No.	Ref. No.	Parts No.	Ref. No.	Parts No.	Ref. No.	Parts No.	Ref. No.	Parts No.
13-15	97370-06012								
8-73	97370-06016								
13-12	97370-06016								
8-65	97370-06018								
8- 3	97370-06020								
9- 2	97370-06020								
8-61	97370-06025								
9-72	97370-06025								
8-92	97370-08016								
8-93	97370-08020								
6- 4	97370-08030								
8-86	97370-08060								
8-87	97370-08100								
6-15	97370-10035								
13-32	97370-10040								
7-12	97470-08020								
9-34	97803-05010								
12-13	97803-05012								
12- 3	97803-05025								
4- 3	97803-05030								
6-12	97890-06015								
7- 7	98180-05025								
9-17	98180-05025								
5-34	98380-05018								
10-10	98380-05018								
5- 9	98502-05030								
11-19	98502-05030								
12-11	98503-03006								
10-45	98503-03008								
4-39	98503-04012								
11-43	98503-04012								
10-64	98503-05010								
10-50	98503-05028								
10-69	98580-05015								
1- 2	99999-00921								

— MEMO —



YAMAHA MOTOR CO., LTD.
2500 SHINGAI IWATA-SHI SHIZUOKA-KEN JAPAN

Copyright

All rights reserved.

No part of this publication may be
reproduced without permission.

Printed in Japan

Jun. 1977

664-28198-00